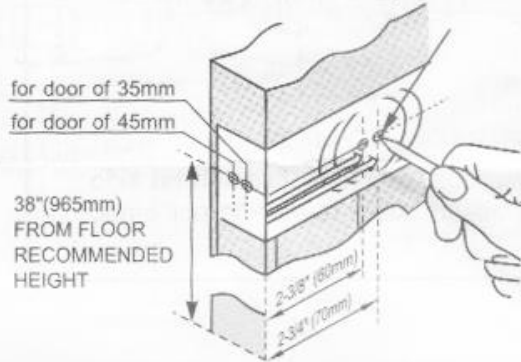


# INSTRUCTION FOR INSTALLATION OF LOCKSETS

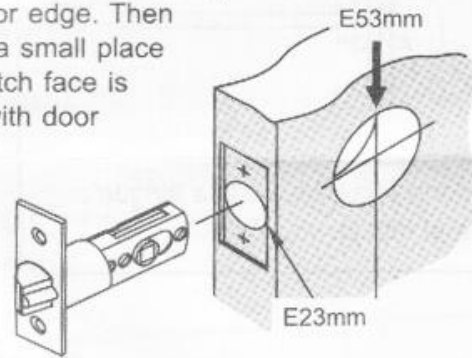
## 1. MARK DOOR

Mark center of door edge and center hole on door face through guide on template. (Backset 60mm or 70mm fitting all doors from 35mm to 45mm thickness).



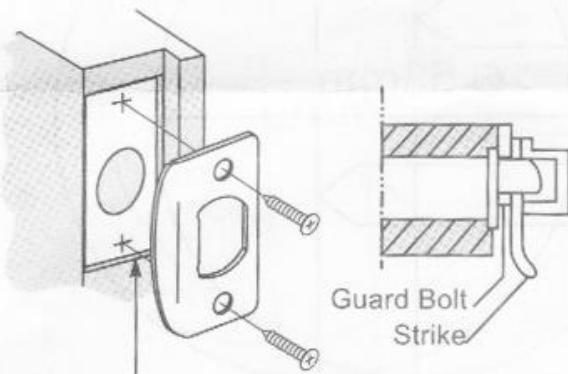
## 2. DRILL TWO HOLES AND INSTALL LATCH

Drill 53mm hole through door face as marked for lockset and 23mm hole in center of door edge for latch. Make sure the hole for latch can be inserted right into the door edge. Then chisel a small place until latch face is flush with door edge.



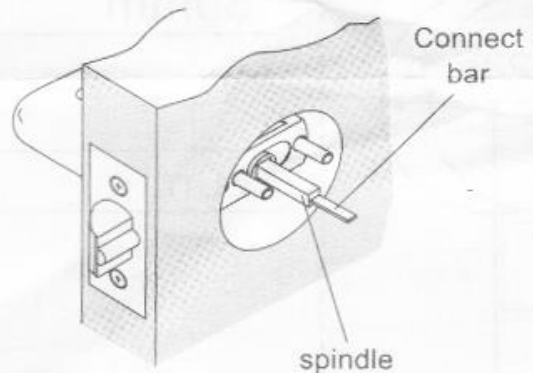
## 3. INSTALL STRIKE

Install strike as illustrated and make sure it is set to the same height as the latch.



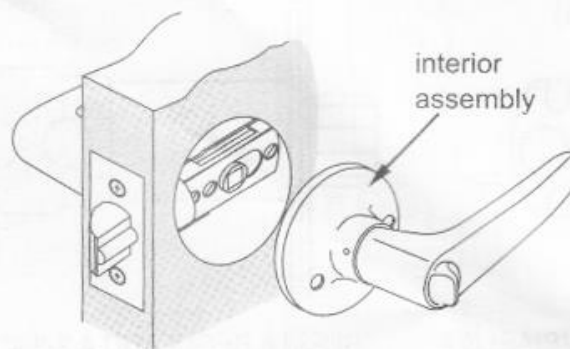
## 4. INSTALL EXTERIOR KNOB

Install knob with spindle into latch making certain that stems are positioned correctly through latch hole. Press flush against door.

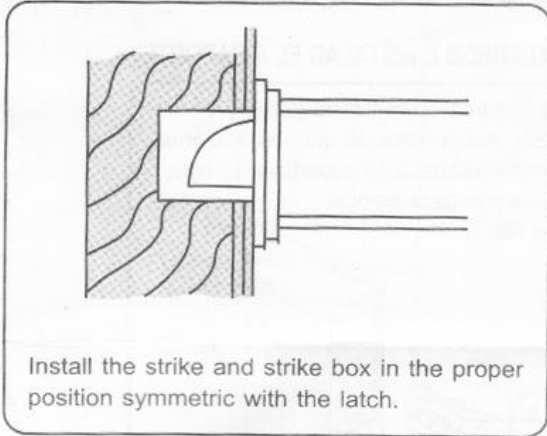


## 5. INSTALL INTERIOR LEVER

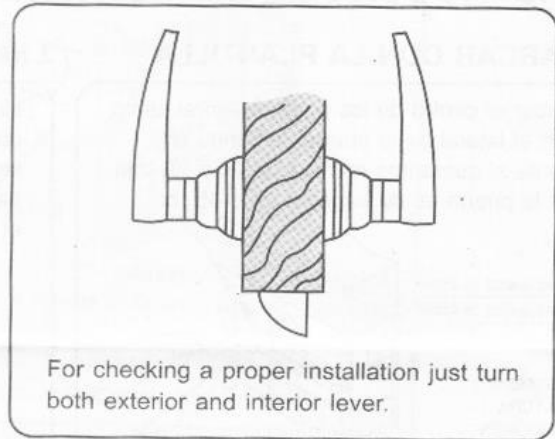
Turn interior lever so that assembly and rose can be placed on spindle (The lever must be placed in same level with Connect bar Tighten screws.)



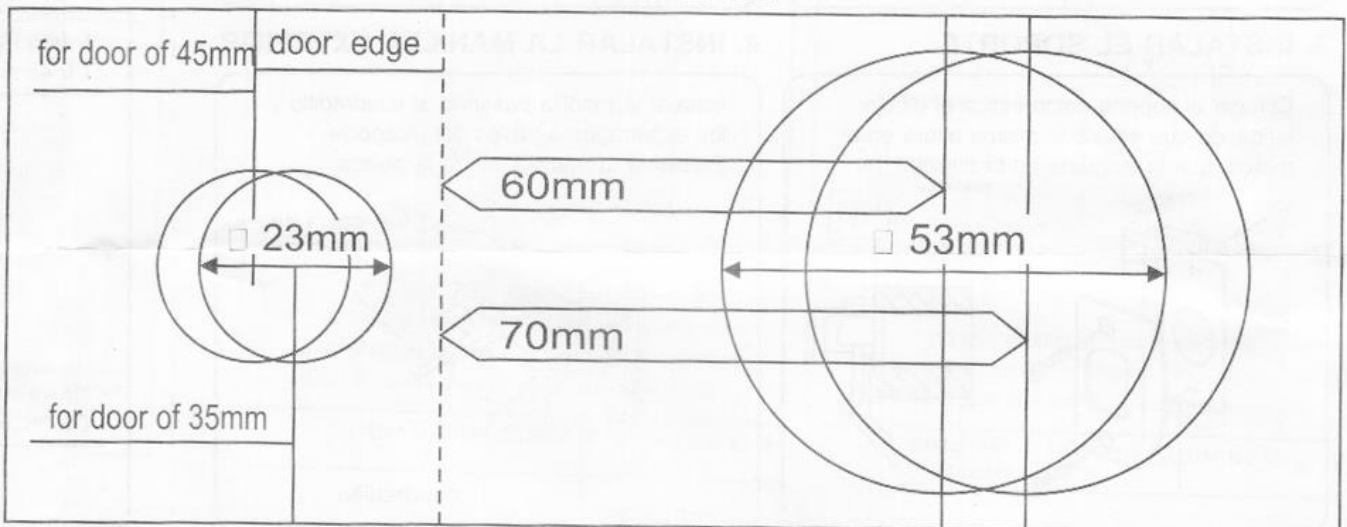
## 6. ACCESSORIES



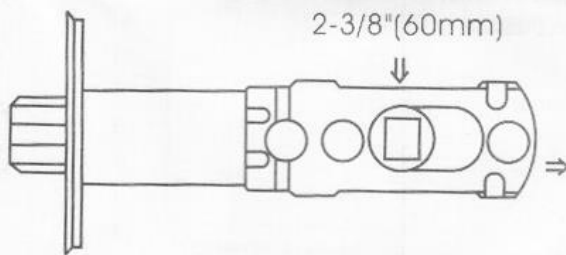
## 7. OPENING TEST



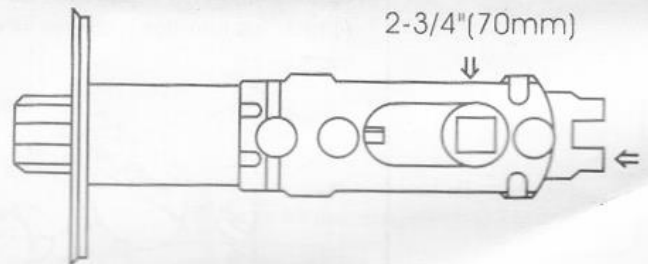
## TEMPLATE



## HOW TO ADJUST THE LATCH



THE LATCH IS SET 2-3/8"(60mm) TO ADJUST TO 2-3/4"(70mm) PULL OUT THE REAR PART



THE LATCH IS SET 2-3/4"(70mm) TO ADJUST TO 2-3/8"(60mm) PULL IN THE REAR PART